

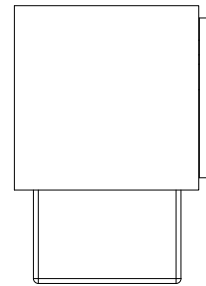
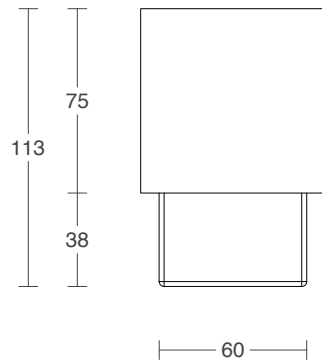
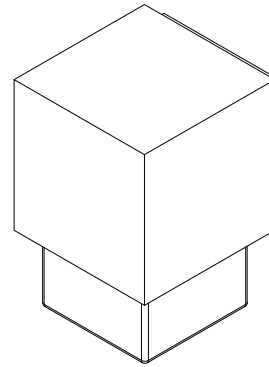
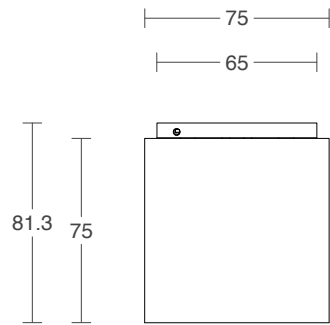
CUBO COLLECTION
SINGLE WALL SCONCE



CUBO COLLECTION

SINGLE WALL SCONCE

ARTICOLOSTUDIOS.COM



25V1

ABOUT CUBO

The Cubo collection is an exploration in contrasts—juxtaposing precision, machined materials with the soulful poeticism of the handcrafted, solidity with transparency, strong geometry, with textural chromatic refractions.

LEAD TIME

6 - 8 weeks

LIGHT SOURCE

4.2W LED board 350mA 11.5Vf,
CC 2700K warm white
400 lumens
Dimmable

INSTALLATION

Supplied with external driver

WEIGHT

2kg

FITTING FINISHES

Brass
Bronze*

* As Bronze is a hand applied finish the depth of colour will vary

AVAILABLE SHADE COMBINATIONS

Brass with Ice Shade
Brass with Guava Shade
Brass with Mint Shade
Bronze with Ice Shade
Bronze with Guava Shade
Bronze with Smoke Shade
Bronze with Honey Shade

CERTIFICATION

CE/AU

WARRANTY

3 years



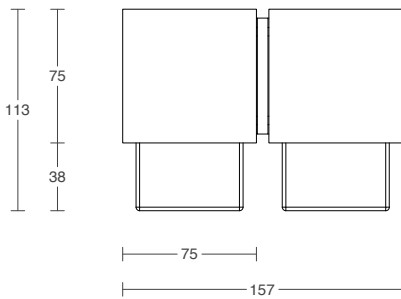
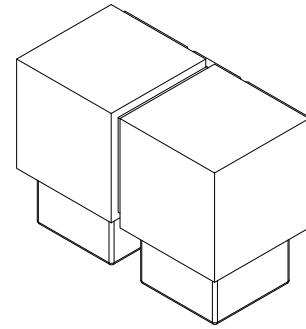
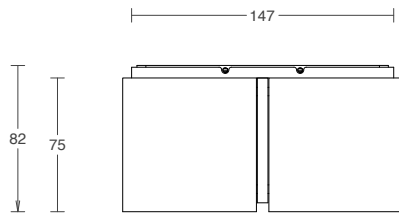
CUBO COLLECTION
DOUBLE WALL SCONCE



CUBO COLLECTION

DOUBLE WALL SCONCE

ARTICOLOSTUDIOS.COM



25V1

ABOUT CUBO

The Cubo collection is an exploration in contrasts—juxtaposing precision, machined materials with the soulful poeticism of the handcrafted, solidity with transparency, strong geometry, with textural chromatic refractions.

LEAD TIME

6 - 8 weeks

LIGHT SOURCE

2 x 4.2W LED board 350mA 11.5Vf,
CC 2700K warm white
400 lumens
Dimmable

INSTALLATION

Supplied with external driver

WEIGHT

4.25kg

FITTING FINISHES

Brass
Bronze*

* As Bronze is a hand applied finish the depth of colour will vary

AVAILABLE SHADE COMBINATIONS

Brass with Ice Shade
Brass with Guava Shade
Brass with Mint Shade
Bronze with Ice Shade
Bronze with Guava Shade
Bronze with Smoke Shade
Bronze with Honey Shade

CERTIFICATION

CE/AU

WARRANTY

3 years



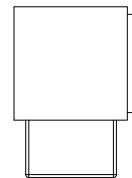
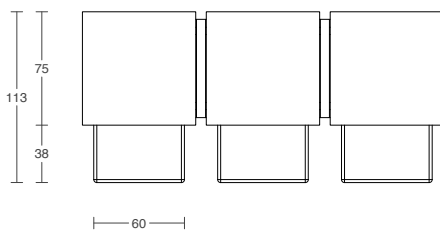
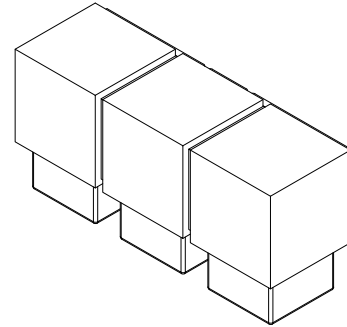
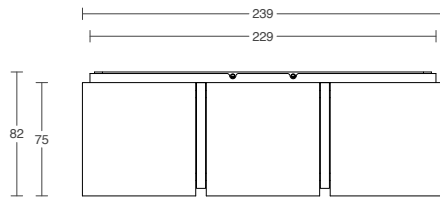
CUBO COLLECTION
TRIPLE WALL SCONCE



CUBO COLLECTION

ARTICOLOSTUDIOS.COM

TRIPLE WALL SCONCE



25V1

ABOUT CUBO

The Cubo collection is an exploration in contrasts—juxtaposing precision, machined materials with the soulful poeticism of the handcrafted, solidity with transparency, strong geometry, with textural chromatic refractions.

LEAD TIME

6 - 8 weeks

LIGHT SOURCE

3 x 4.2W LED board 350mA 11.5Vf,
CC 2700K warm white
400 lumens
Dimmable

INSTALLATION

Supplied with external driver

WEIGHT

6.5kg

FITTING FINISHES

Brass
Bronze*

* As Bronze is a hand applied finish the depth of colour will vary

AVAILABLE SHADE COMBINATIONS

Brass with Ice Shade
Brass with Guava Shade
Brass with Mint Shade
Bronze with Ice Shade
Bronze with Guava Shade
Bronze with Smoke Shade
Bronze with Honey Shade

CERTIFICATION

CE/AU

WARRANTY

3 years

