

HARDWARE
TECHNICAL GUIDE

BARBERA.

ENTRANCE HANDLE COLLECTION



CYRUS ENTRANCE
large 900



CYRUS ENTRANCE
medium 700



CYRUS ENTRANCE
small 400



FERMAT ENTRANCE
small left



FERMAT ENTRANCE
small right



FERMAT ENTRANCE
medium left



FERMAT ENTRANCE
medium right



FERMAT ENTRANCE
large left



FERMAT ENTRANCE
large right

JOINERY HANDLE COLLECTION



FERMAT JOINERY large left
FERMAT JOINERY large right



FERMAT JOINERY medium left
FERMAT JOINERY medium right



FERMAT JOINERY small left
FERMAT JOINERY small right



FERMAT JOINERY mini



FERMAT JOINERY shower



MESSINA JOINERY small



MESSINA JOINERY medium

WALL HOOK COLLECTION

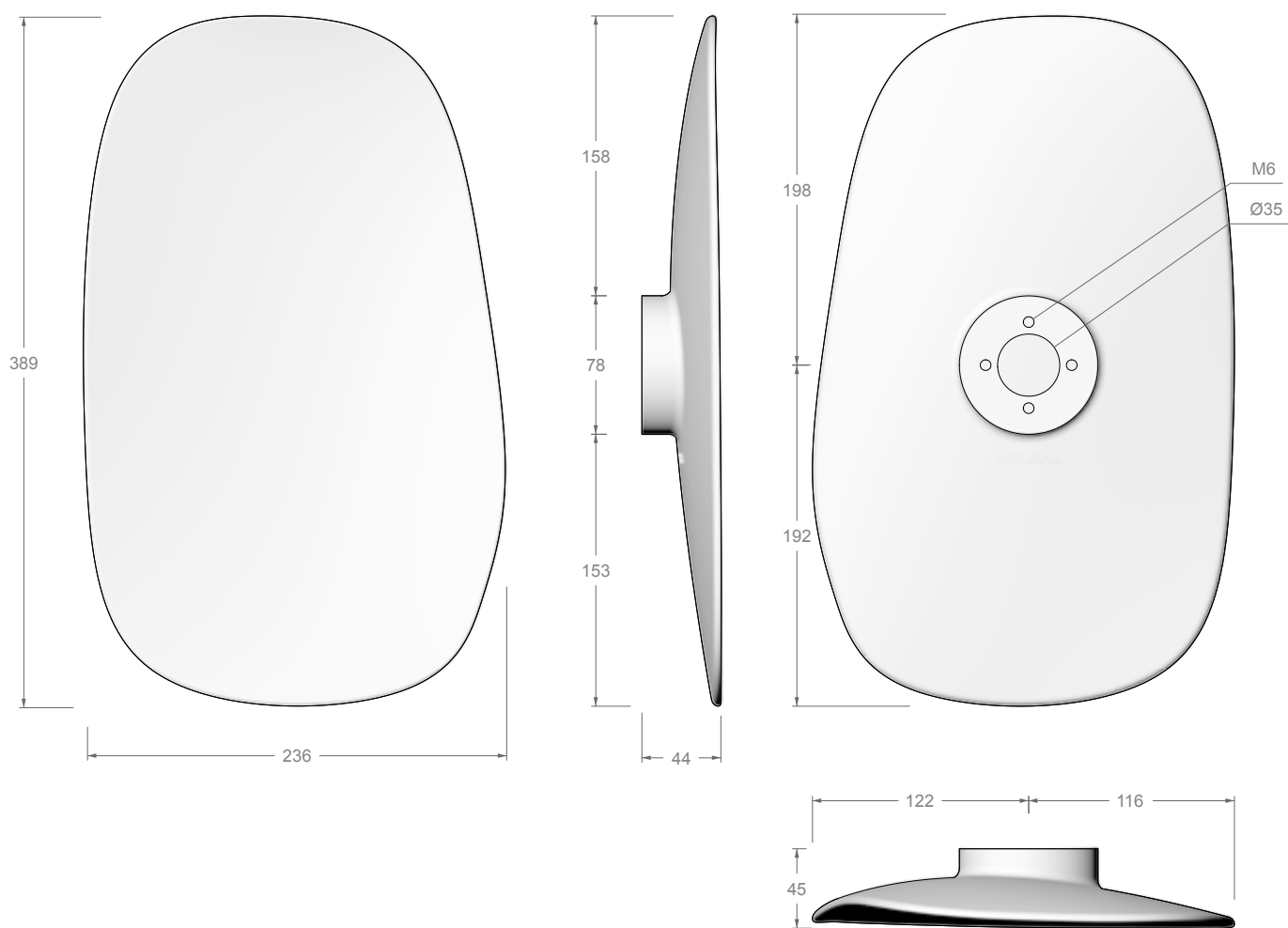


MESSINA WALL HOOK



PESCARA WALL HOOK

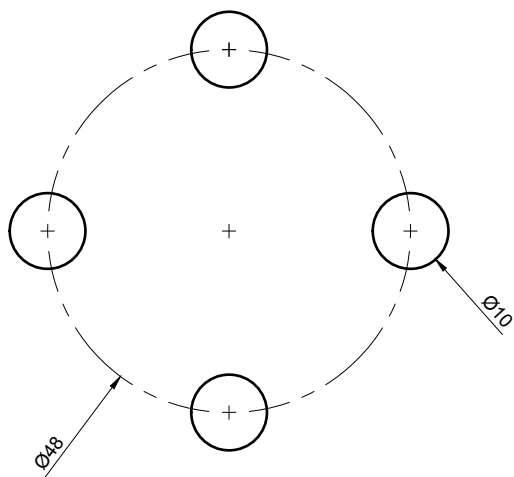
FERMAT ENTRANCE MEDIUM



Scale = 1:4 @A4

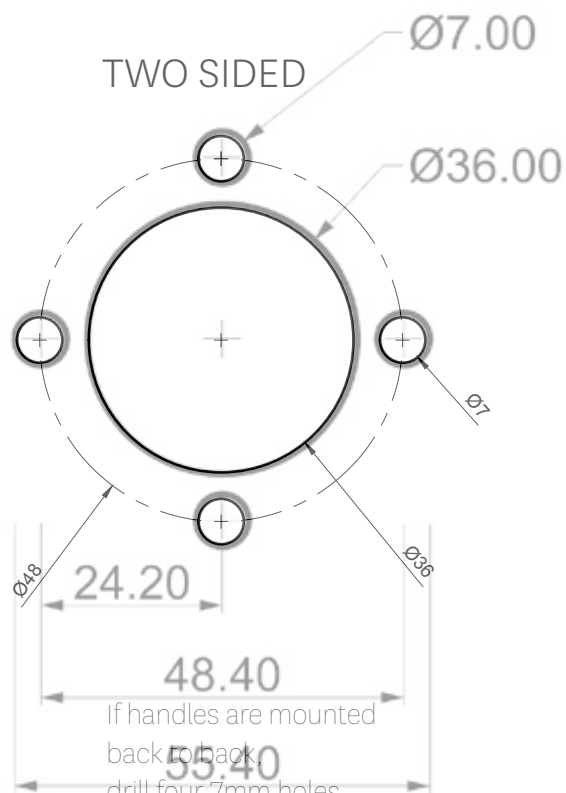
FERMAT ENTRANCE DOOR - HOLE SPACING

ONE SIDED

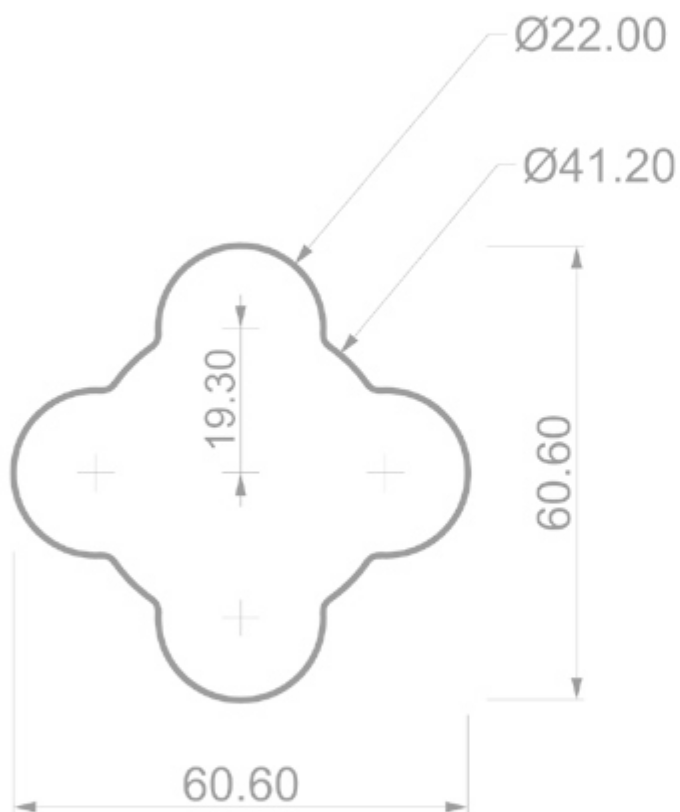


If handle is mounted on only one side, drill four 10mm holes.

TWO SIDED



If handles are mounted back to back, drill four 7mm holes and one 36mm hole.



FERMAT ENTRANCE ASSEMBLY - BACK TO BACK

External Handle

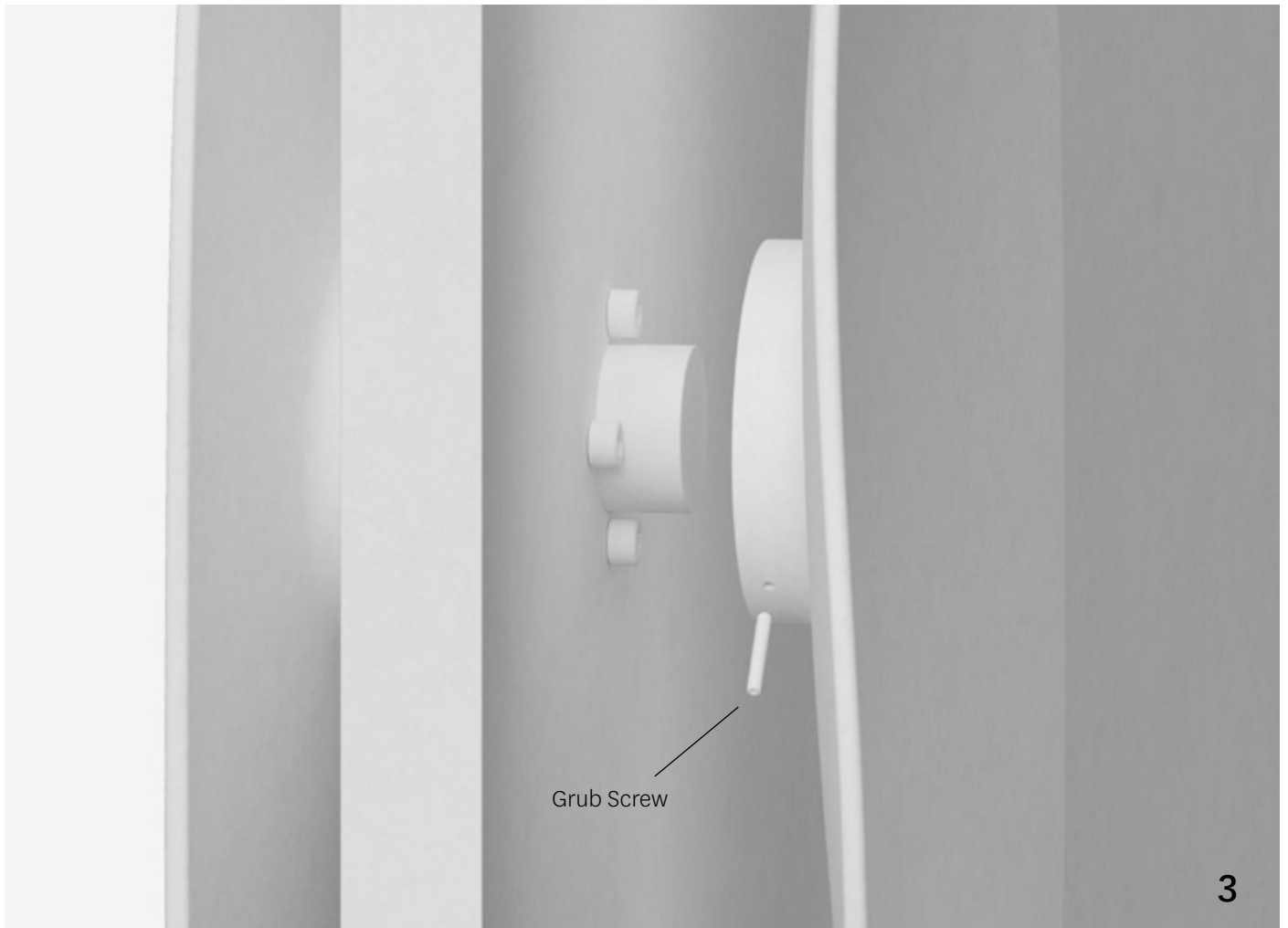
Internal Handle

1

35mm Shaft

M6 Bolts

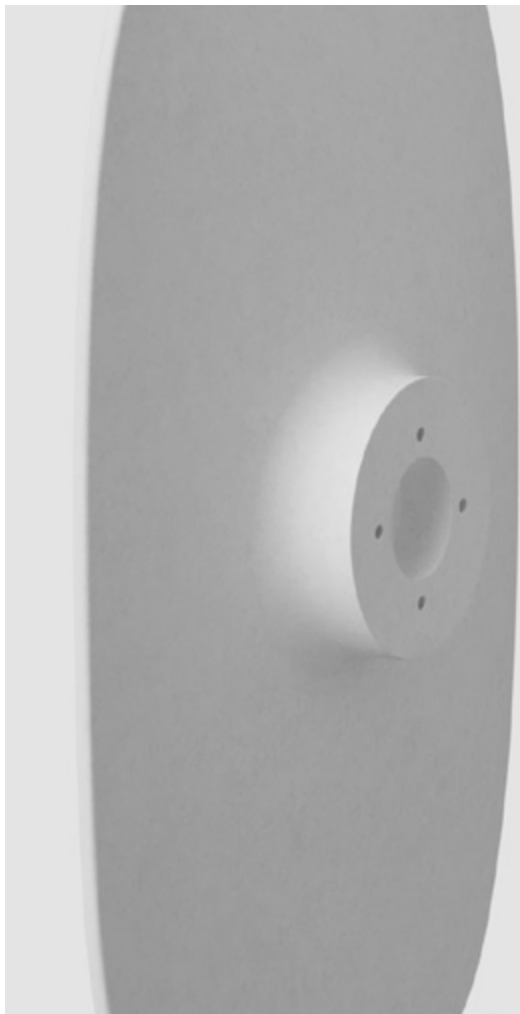
2



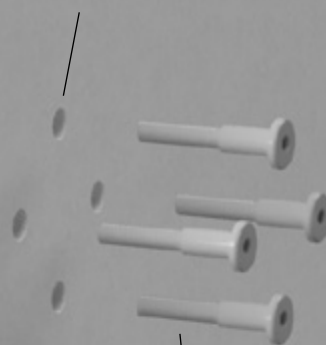
STEPS:

1. DRILL 4 x 7mm HOLES INTO DOOR
2. DRILL HOLE FOR 35mm SHAFT (SIZE WILL DEPEND ON DOOR MATERIAL)
3. INSERT EXTERNAL HANDLE THROUGH DOOR
4. TIGHTEN 4 x M6 BOLTS
5. APPLY RETAINING COMPOUND TO SHAFT
6. SLIDE INTERNAL HANDLE OVER SHAFT
7. INSERT BOTH GRUB SCREWS AND TIGHTEN WITH ALLEN KEY

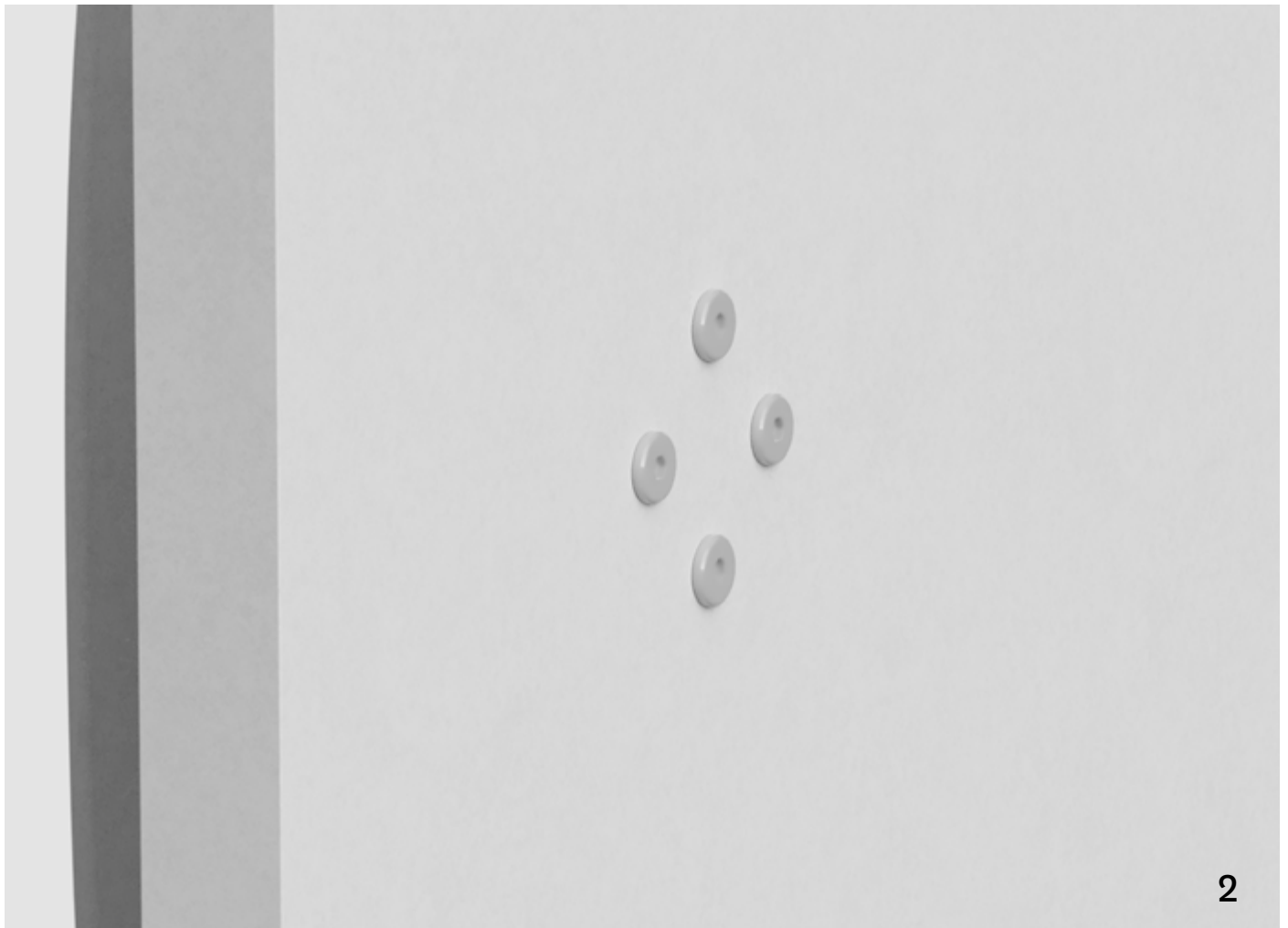
FERMAT ENTRANCE
ASSEMBLY - ONE SIDED



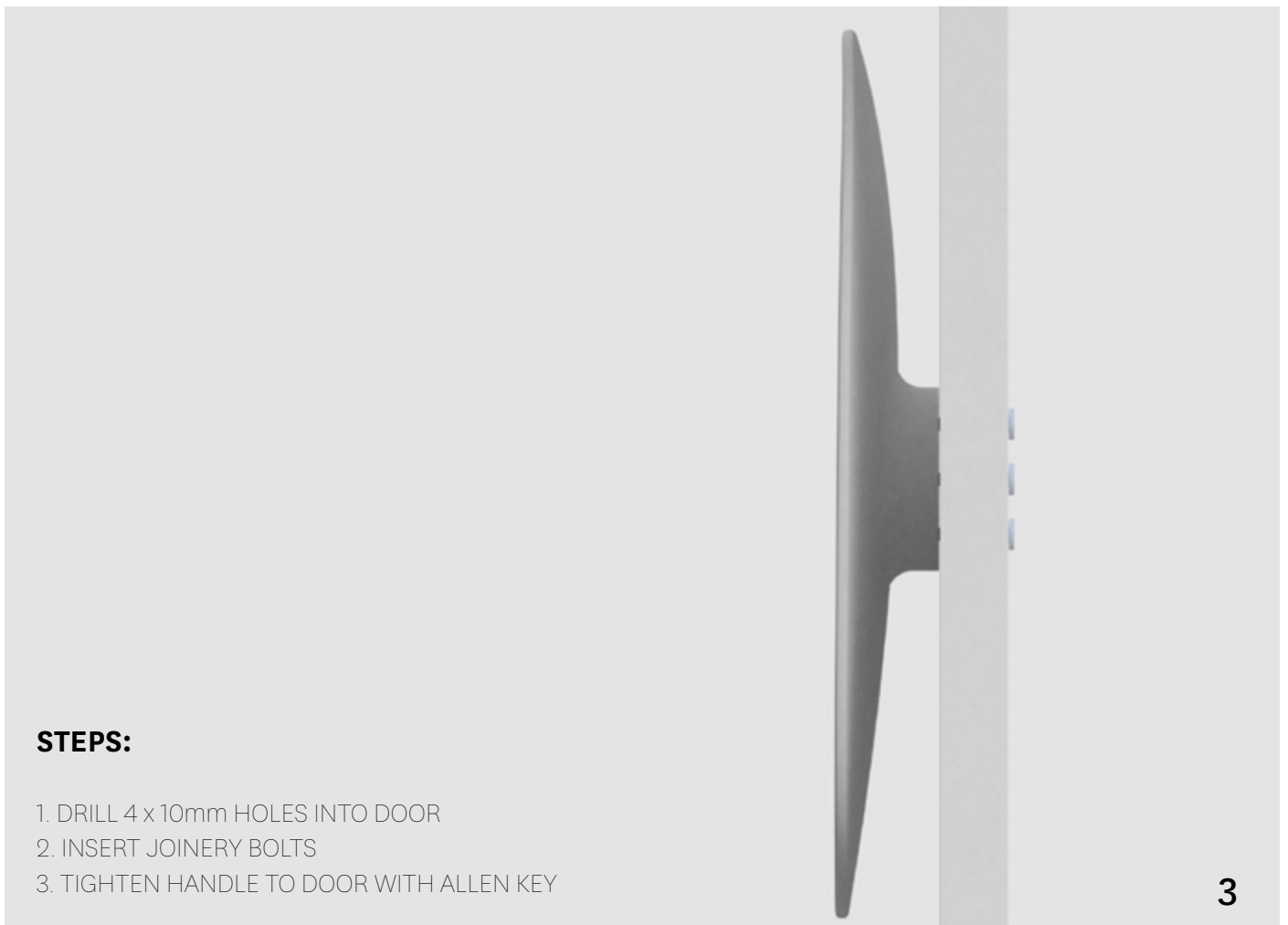
10mm Holes



M6 Joinery Bolt



2



STEPS:

1. DRILL 4 x 10mm HOLES INTO DOOR
2. INSERT JOINERY BOLTS
3. TIGHTEN HANDLE TO DOOR WITH ALLEN KEY

3

BARBERA studio & showroom

By appointment:

5/213 Sunshine Road

Tottenham 3012

VIC Australia

+61 3 9314 4273

info@barberadesign.com

www.barberadesign.com

Exclusively sold within Victoria

Australia

GET SPECIFIED

Dan Robertshaw

0488116949

helpme@getspecified.com.au

BARBERA.